

Introduction

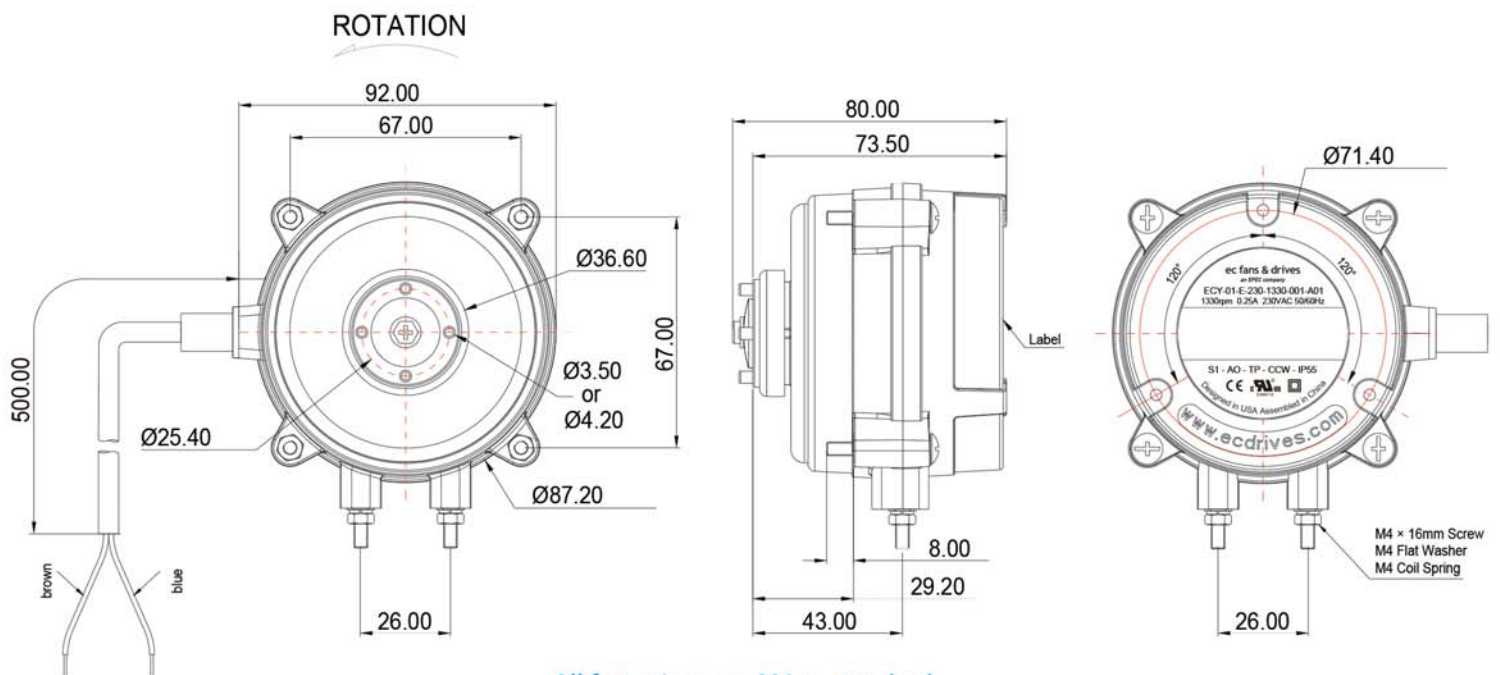
ECY-01 is a single voltage, single speed, single direction, electronically commutated (EC) motor developed for commercial refrigeration and ventilation applications



Outline Specification

Input Voltage Range.....	120VAC 50/60Hz (90-138VAC) 230VAC 50/60Hz (190-265VAC)
Output Power Range.....	0-20 Watt
Speed Range.....	600-2100 rpm (constant)
Maximum Input Power.....	30 Watt
Maximum Input Current.....	0.25 Amp @ 230VAC 50/60Hz 0.45 Amp @ 120VAC 50/60Hz
Insulation Class.....	Class B (130°C)
Thermal Protection.....	Electronically & thermally protected
Motor Protection.....	Locked rotor, soft start function on start-up and current limit
Earthing Protection.....	Double insulated
IP rating.....	IP55 (per ISO/EN 60529:2013)
Housing Material.....	UL recognised (V0 rated) plastic material
Bearing System.....	High precision sealed ball bearings
L10 Life Expectancy.....	40,000 hours at 40°C
Operating Temp. Range.....	-40°C to +50°C (-40°F to +122°F)
Storage Temp. Range.....	-40°C to +80°C (-40°F to +176°F)
Weight.....	0.62kg (1.3lb)
Approvals.....	UL, CUL, CE

Outline Dimensions



All fastenings are M4 as standard

Airflow Illustration

Ø Fan Blade	Pitch	1330rpm			1550rpm			1800rpm		
		CFM	M3/Hr	Watts	CFM	M3/Hr	Watts	CFM	M3/Hr	Watts
Ø 154mm (6")	28°	80	136	2.6	93	158	3.4	105	178	4.3
	34°	105	178	3.3	125	212	4.3	145	246	5.9
Ø 172mm (7")	28°	130	221	3.2	150	255	4.2	170	289	5.6
	34°	161	274	4.2	192	326	5.8	225	382	8
Ø 200mm (8")	28°	195	331	4.1	225	382	5.6	260	442	7.8
	34°	250	425	5.8	290	493	8.6	332	564	12.8
Ø 230mm (9")	28°	281	477	5.8	340	578	8.4	400	680	10.8
	34°	342	581	7.3	392	666	10.9	440*	748*	14.1
Ø 254mm (10")	28°	526*	894*	21.3	589*	1001*	28.1	x	x	x
	34°	580*	985*	24.0	620*	1053*	28.9	x	x	x

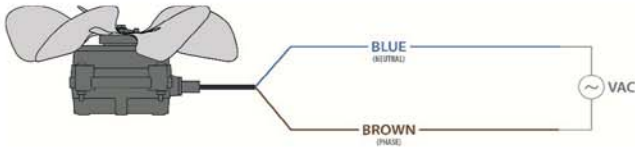
Above Flow Rates Tested In Accordance To ANSI/AMCA 210-07 (Fan Air Performance Test Standard)

Above Flow Rates Were Recorded With ECY Series Motor & Fan Blade Assembled To Appropriate Diameter Fan Ring

Above Flow Rates Are Maximum Flow At Zero Static Pressure With Motor Running At Free Air

* = The Nominal Speed May Not Be Reached At Higher Static Pressure Points Due To Electronic Protection Being Enabled

ECY-01 Wiring Detail



ECY-01 motor should be wired so that motor powers 'on' when compressor starts its cycle and powers 'off' when compressor stops its cycle

For safety reasons the motor should be wired that it powers off when door to cabinet is opened

Mounting Options

Foot Mount	2 x M4 Screws on 26mm Centres
Rear Mount	3 x M4 Brass Inserts @ 120° on PCD 71.40mm
Fan Ring Mount	4 x M4 Fixing Screws
Drive Plate	4 Pin Drive Plate - EU Version (Ø 3.50mm) & USA Version (Ø 4.20mm)
Fan Blade Mount	Fan Secured on Drive Plate By M4 Screw With Conical Pre-Load Steel Washer

OEM Bespoke Options

Cable	Bespoke Cable Length Complete With Connectors & Moulded Plugs
Fastenings	Imperial Fastenings Available

Fan Assemblies

EC Fans & drives can supply the ECY-01 motor as a complete fan assembly with fan ring and blade already assembled to the motor. We have an extensive range of fan rings from Ø 154mm (6") to Ø 254mm (10") and numerous fan blades in either blowing or sucking airflow direction with various pitch configurations, therefore, ensuring the right flow rate for your individual application. Please contact your local EC fans & drives sales representative for more detailed information.

USA Office

174 Duchaine Blvd, New Bedford Business Park
New Bedford, MA 02745

UK Office

Unit 5, Merthyr Tydfil Industrial Park
Merthyr Tydfil, CF48 4DR