

17251

100VAC to 240VAC
Energy Saving EC Fan

NEW



CE UL US

General Specifications

- Frame Size..... 172x150x51mm
- Material..... Frame: Aluminum (UL94V-0), Impeller: Plastic (UL94V-0)
Lead Wire: UL1007AWG#22 400mm or Terminal
- Motor Protection..... EC series fans have auto restart function
- Input Voltage..... A rated voltage range of 100VAC~240VAC(50/60Hz) Rotation speed remains constant even at different input voltages
- Dielectric Strength..... 50/60Hz 1500 VAC 1min (Between input terminal and frame)
- Temperature Range.... Operating temperature -30°C~70°C (Non-condensing)
Storage temperature -40°C~70°C (Non-condensing)
- Expected life..... Ball Bearing 50,000hrs at 40°C (approximately 6 years)
- Fan Specials..... **RD FG PWM IP54 AS**

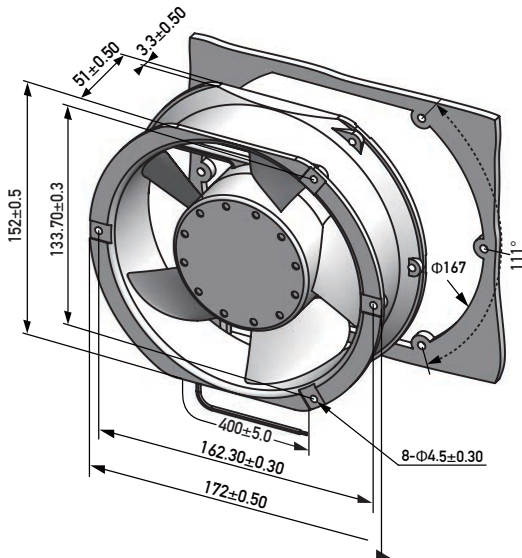
Specifications

Model	Bearing Type	Rated Voltage	Input Current	Input Power	Speed	Max Air Flow		Max Static Pressure		Noise	Weight
Part No.	B	VAC&VDC	Amp	Watt	RPM	CFM	m³/min	Inch-H2O	Pa	dB-A	g
EC17251B**HL(T)	B	100~240	0.20	22.50	3200	228.35	6.47	0.60	149.55	55.4	720.0
EC17251B**ML(T)	B	100~240	0.17	19.00	2800	199.34	5.65	0.46	115.03	51.5	720.0
EC17251B**LL(T)	B	100~240	0.10	11.00	2500	180.83	5.12	0.38	93.46	48.0	720.0

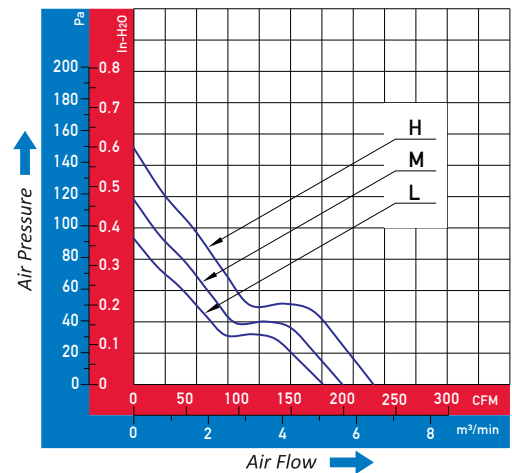
Specifications are subject to change without notice. Please visit our website at www.ecdrives.com for update information

Note: "00" is 100 to 240VAC, "11" is 110 VAC, "22" is 220 VAC, (L) is Leadwire, (T) is Terminal

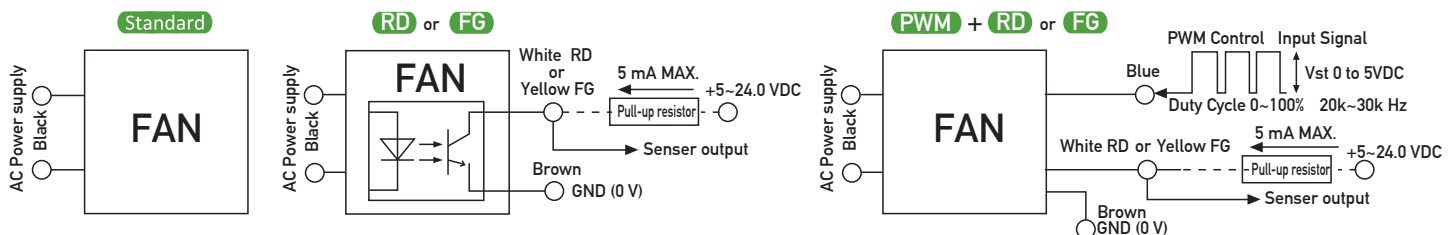
Dimensions (Unit:mm)



PQ Curve (At rated Voltage)



Wiring Diagram



Note: Standard EC fan have two lead wire or Terminal.
RD or FG, have 4 lead wires. RD is White color, FG is Yellow color. Brown is Ground
PWM with RD or FG signal have 5 lead wires. PWM is Blue color. Brown is Ground