

12038

100VAC to 240VAC
Energy Saving EC Fan

NEW

General Specifications

Frame Size..... 120x120x38mm 7 blades
 Material..... Frame: Plastic (UL94V-0), Impeller: Plastic (UL94V-0)
 Lead Wire: UL1007AWG#24 300mm or Terminal
 Motor Protection..... EC series fans have auto restart function
 Input Voltage..... A rated voltage range of 100VAC~240VAC(50/60Hz) Rotation speed remains constant even at different input voltages
 Dielectric Strength..... 50/60Hz 1500 VAC 1min (Between input terminal and frame)
 Temperature Range.... Operating temperature -30°C~70°C (Non-condensing)
 Storage temperature -40°C~70°C (Non-condensing)
 Expected life..... Ball Bearing 50,000hrs at 40°C (approximately 6 years)
 Fan Specials..... **RD FG PWM IP54 AS**



CE cULus

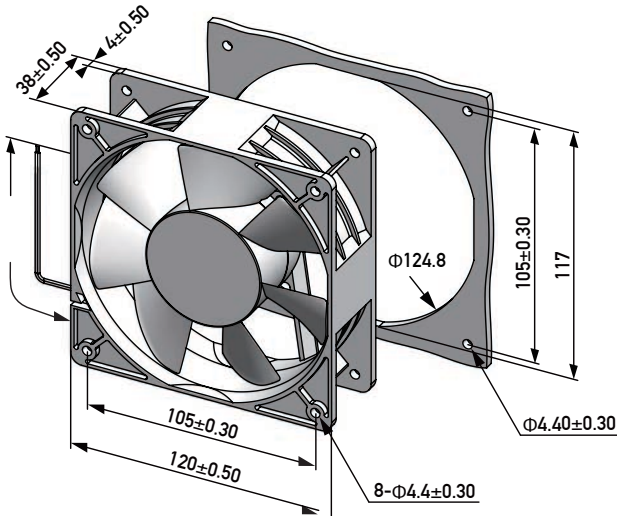
Specifications

Model	Bearing Type	Rated Voltage	Input Current	Input Power	Speed	Max Air Flow		Max Static Pressure		Noise	Weight
Part No.	B	VAC&VDC	Amp	Watt	RPM	CFM	m ³ /min	Inch-H ₂ O	Pa	dB-A	g
EC12038B**HL(T)	B	100~240	0.18	9.50	3500	123.92	3.51	0.36	90.51	49.3	285.0
EC12038B**ML(T)	B	100~240	0.12	6.20	3000	109.88	3.11	0.29	72.08	45.2	285.0
EC12038B**LL(T)	B	100~240	0.08	4.20	2500	86.25	2.44	0.20	49.13	38.5	285.0

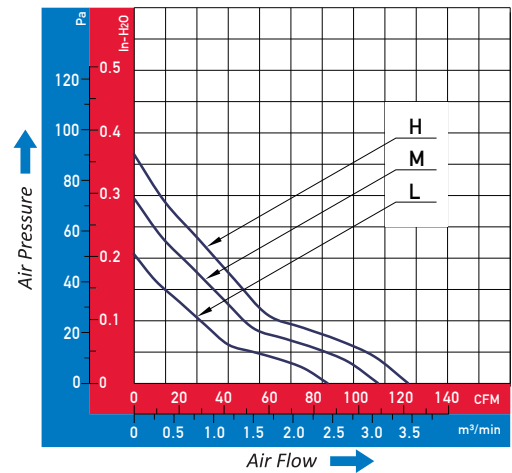
Specifications are subject to change without notice. Please visit our website at www.ecdrives.com for update information

Note: "00" is 100 to 240VAC, "11" is 110 VAC, "22" is 220 VAC, (L) is Leadwire, (T) is Terminal

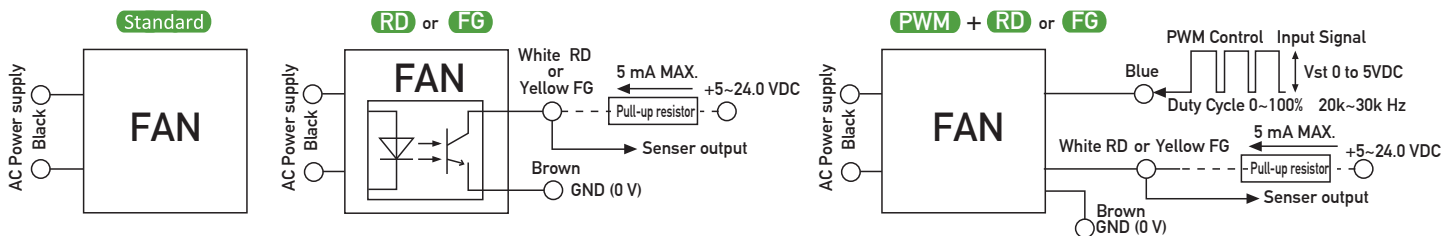
Dimensions (Unit:mm)



PQ Curve (At rated Voltage)



Wiring Diagram



Note: Standard AF fan have two lead wire or Terminal.

RD or FG, have 4 lead wires. RD is White color, FG is Yellow color, Brown is Ground
 PWM with RD or FG signal have 5 lead wires, PWM is Blue color, Brown is Ground