

12025

100VAC to 240VAC
Energy Saving EC Fan

NEW



General Specifications

- Frame Size..... 120x120x25mm
- Material..... Frame: Plastic (UL94V-0), Impeller: Plastic (UL94V-0)
Lead Wire: UL1007AWG#24 300mm or Terminal
- Motor Protection..... EC series fans have auto restart function
- Input Voltage..... A rated voltage range of 100VAC~240VAC(50/60Hz) Rotation speed remains constant even at different input voltages
- Dielectric Strength..... 50/60Hz 1500 VAC 1min (Between input terminal and frame)
- Temperature Range.... Operating temperature -30°C~70°C (Non-condensing)
Storage temperature -40°C~70°C (Non-condensing)
- Expected life..... Ball Bearing 50,000hrs at 40°C (approximately 6 years)
- Fan Specials..... **RD FG PWM IP54 AS**

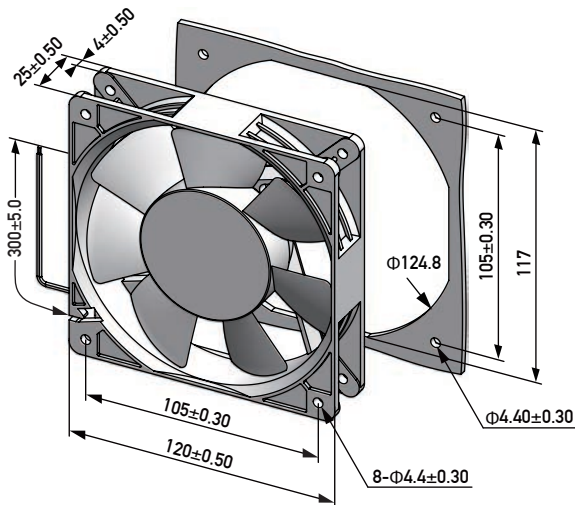
Specifications

Model	Bearing Type	Rated Voltage	Input Current	Input Power	Speed	Max Air Flow		Max Static Pressure		Noise	Weight
Part No.	B	VAC&VDC	Amp	Watt	RPM	CFM	m ³ /min	Inch-H ₂ O	Pa	dB-A	g
EC12025B**HL(T)	B	100~240	0.10	6.00	3000	79.16	2.24	0.18	43.74	44.8	147.0
EC12025B**ML(T)	B	100~240	0.08	3.80	2600	69.77	1.98	0.13	33.15	41.9	147.0
EC12025B**LL(T)	B	100~240	0.06	2.40	2200	58.10	1.64	0.10	24.52	37.0	147.0

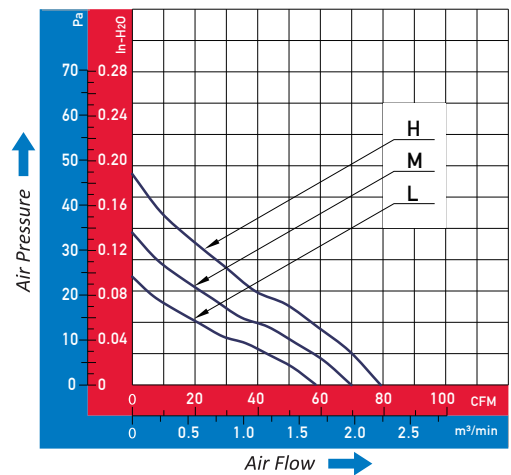
Specifications are subject to change without notice. Please visit our website at www.ecdrives.com for update information

Note: "00" is 100 to 240VAC, "11" is 110 VAC, "22" is 220 VAC, (L) is Leadwire, (T) is Terminal

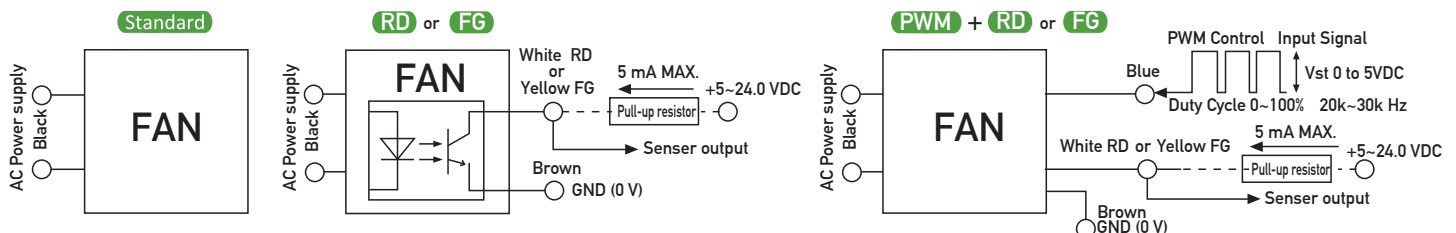
Dimensions (Unit:mm)



PQ Curve (At rated Voltage)



Wiring Diagram



Note: Standard EC fan have two lead wire or Terminal.
RD or FG, have 4 lead wires. RD is White color, FG is Yellow color, Brown is Ground
PWM with RD or FG signal have 5 lead wires, PWM is Blue color, Brown is Ground