

9238

100VAC to 240VAC
Energy Saving EC Fan

NEW



CE cULus

General Specifications

Frame Size.....	92x92x38mm
Material.....	Frame: Plastic (UL94V-0), Impeller: Plastic (UL94V-0) Lead Wire: UL1007AWG#24 300mm or Terminal
Motor Protection.....	EC series fans have auto restart function
Input Voltage.....	A rated voltage range of 100VAC~240VAC(50/60Hz) Rotation speed remains constant even at different input voltages
Dielectric Strength.....	50/60Hz 1500 VAC 1min (Between input terminal and frame)
Temperature Range....	Operating temperature -30°C~70°C (Non-condensing) Storage temperature -40°C~70°C (Non-condensing)
Expected life.....	Ball Bearing 50,000hrs at 40°C (approximately 6 years)
Fan Specials.....	RD FG PWM IP54 AS

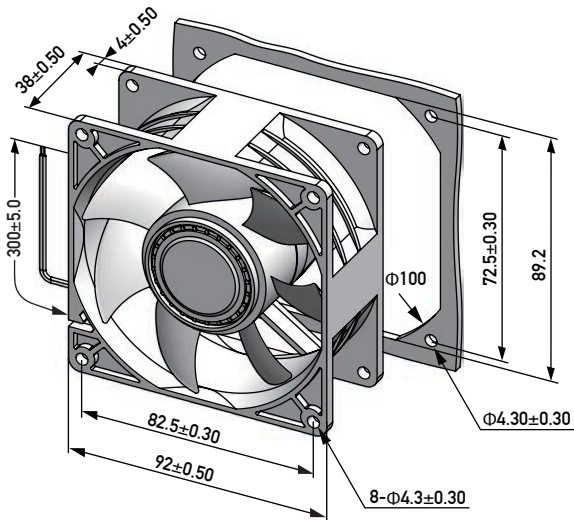
Specifications

Model	Bearing Type	Rated Voltage	Input Current	Input Power	Speed	Max Air Flow		Max Static Pressure		Noise	Weight
Part No.	B	VAC&VDC	Amp	Watt	RPM	CFM	m ³ /min	Inch-H ₂ O	Pa	dB-A	g
EC09238B**HL(T)	B	100~240	0.11	5.50	3500	67.69	1.92	0.29	71.69	42.0	174.0
EC09238B**ML(T)	B	100~240	0.06	2.80	3000	57.59	1.63	0.21	52.47	36.5	174.0
EC09238B**LL(T)	B	100~240	0.05	2.20	2500	47.85	1.36	0.15	37.36	31.1	174.0

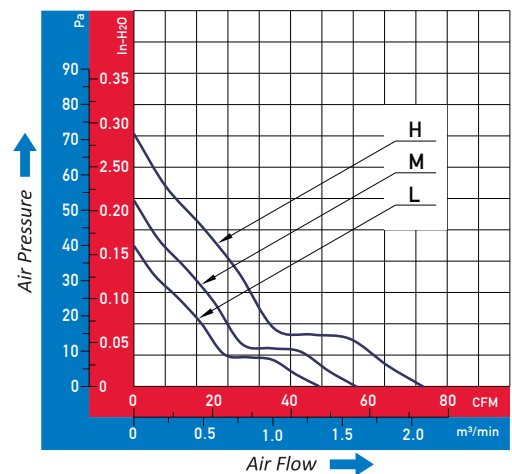
Specifications are subject to change without notice. Please visit our website at www.ecdrives.com for update information

Note: "00" is 100 to 240VAC, "11" is 110 VAC, "22" is 220 VAC, (L) is Leadwire, (T) is Terminal

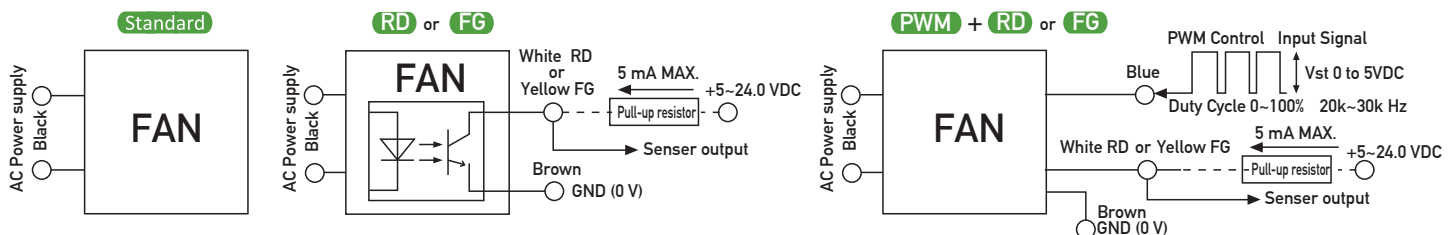
Dimensions (Unit:mm)



PQ Curve (At rated Voltage)



Wiring Diagram



Note: Standard EC fan have two lead wire or Terminal.
RD or FG, have 4 lead wires. RD is White color, FG is Yellow color, Brown is Ground
PWM with RD or FG signal have 5 lead wires, PWM is Blue color, Brown is Ground