

9225

100VAC to 240VAC
Energy Saving EC Fan

NEW



CE cRU_{us}

General Specifications

- Frame Size..... 92x92x25mm
- Material..... Frame: Plastic (UL94V-0), Impeller: Plastic (UL94V-0)
Lead Wire: UL1007AWG#24 300mm or Terminal
- Motor Protection..... EC series fans have auto restart function
- Input Voltage..... A rated voltage range of 100VAC~240VAC(50/60Hz) Rotation speed remains constant even at different input voltages
- Dielectric Strength..... 50/60Hz 1500 VAC 1min (Between input terminal and frame)
- Temperature Range.... Operating temperature -30°C~70°C (Non-condensing)
Storage temperature -40°C~70°C (Non-condensing)
- Expected life..... Ball Bearing 50,000hrs at 40°C (approximately 6 years)
- Fan Specials..... **RD FG PWM IP54 AS**

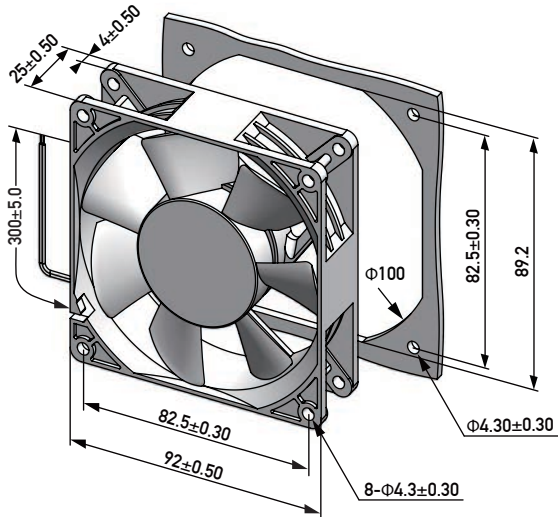
Specifications

Model	Bearing Type	Rated Voltage	Input Current	Input Power	Speed	Max Air Flow		Max Static Pressure		Noise	Weight
Part No.	B	VAC&VDC	Amp	Watt	RPM	CFM	m ³ /min	Inch-H ₂ O	Pa	dB-A	g
EC09225B**HL(T)	B	100~240	0.06	6.30	3500	55.68	1.58	0.27	66.10	44.0	106.0
EC09225B**ML(T)	B	100~240	0.05	3.70	3000	45.69	1.29	0.18	45.40	38.6	106.0
EC09225B**LL(T)	B	100~240	0.04	1.90	2500	38.58	1.09	0.13	32.85	34.1	106.0

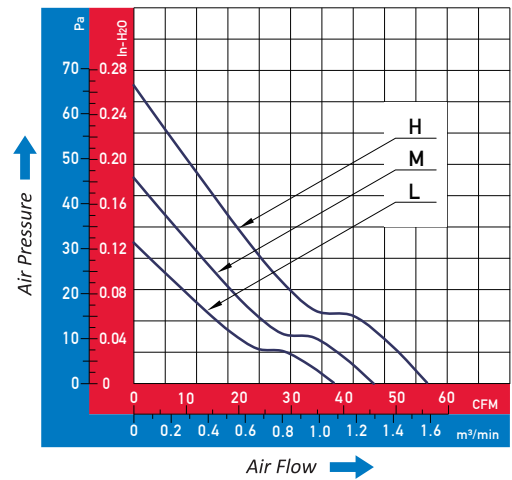
Specifications are subject to change without notice. Please visit our website at www.ecdrives.com for update information

Note: "00" is 100 to 240VAC, "11" is 110 VAC, "22" is 220 VAC, (L) is Leadwire, (T) is Terminal

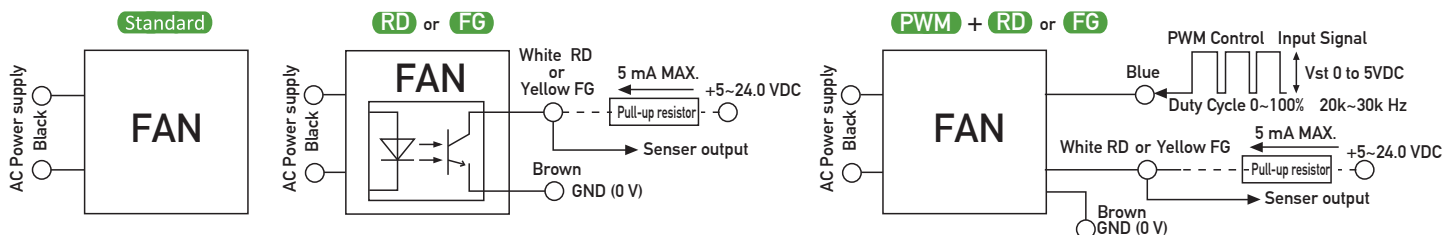
Dimensions (Unit:mm)



PQ Curve (At rated Voltage)



Wiring Diagram



Note: Standard EC fan have two lead wire or Terminal.

RD or FG, have 4 lead wires. RD is White color, FG is Yellow color, Brown is Ground
PWM with RD or FG signal have 5 lead wires. PWM is Blue color, Brown is Ground