

## 8038

100VAC to 240VAC  
Energy Saving EC Fan

# NEW

### General Specifications

Frame Size.....	80x80x38mm
Material.....	Frame: Plastic (UL94V-0), Impeller: Plastic (UL94V-0) Lead Wire: UL1007AWG#24 300mm or Terminal
Motor Protection.....	EC series fans have auto restart function
Input Voltage.....	A rated voltage range of 100VAC~240VAC(50/60Hz) Rotation speed remains constant even at different input voltages
Dielectric Strength.....	50/60Hz 1500 VAC 1min (Between input terminal and frame)
Temperature Range....	Operating temperature -30°C~70°C (Non-condensing) Storage temperature -40°C~70°C (Non-condensing)
Expected life.....	Ball Bearing 50,000hrs at 40°C (approximately 6 years)
Fan Specials.....	<b>RD FG PWM IP54 AS</b>



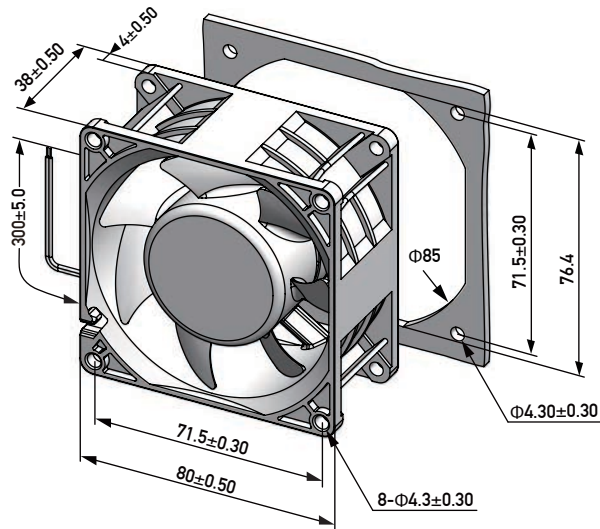
### Specifications

Model	Bearing Type	Rated Voltage	Input Current	Input Power	Speed	Max Air Flow		Max Static Pressure		Noise	Weight
Part No.	B	VAC&VDC	Amp	Watt	RPM	CFM	m <sup>3</sup> /min	Inch-H <sub>2</sub> O	Pa	dB-A	g
EC08038B**HL(T)	B	100~240	0.09	5.50	4000	40.95	1.16	0.28	70.41	31.0	162.0
EC08038B**ML(T)	B	100~240	0.06	3.20	3500	36.30	1.03	0.22	54.23	27.0	162.0
EC08038B**LL(T)	B	100~240	0.04	2.70	3000	30.61	0.87	0.16	40.80	24.0	162.0

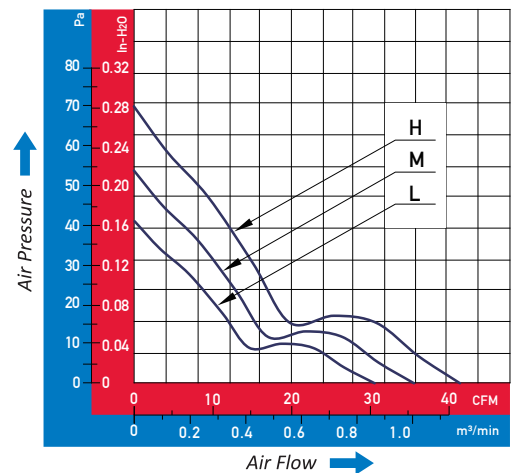
Specifications are subject to change without notice. Please visit our website at [www.ecdrives.com](http://www.ecdrives.com) for update information

Note: "00" is 100 to 240VAC, "11" is 110 VAC, "22" is 220 VAC, (L) is Leadwire, (T) is Terminal

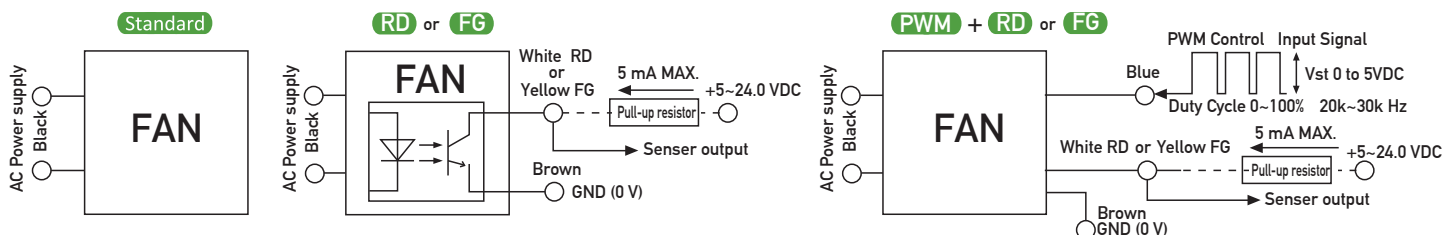
### Dimensions (Unit:mm)



### PQ Curve (At rated Voltage)



### Wiring Diagram



Note: Standard EC fan have two lead wire or Terminal.  
RD or FG, have 4 lead wires. RD is White color, FG is Yellow color, Brown is Ground  
PWM with RD or FG signal have 5 lead wires, PWM is Blue color, Brown is Ground