

## 8025

100VAC to 240VAC  
Energy Saving EC Fan

**NEW**



### General Specifications

- Frame Size..... 80x80x25mm
- Material..... Frame: Plastic (UL94V-0), Impeller: Plastic (UL94V-0)  
Lead Wire: UL1007AWG#24 300mm or Terminal
- Motor Protection..... EC series fans have auto restart function
- Input Voltage..... A rated voltage range of 100VAC~240VAC(50/60Hz) Rotation speed remains constant even at different input voltages
- Dielectric Strength..... 50/60Hz 1500 VAC 1min (Between input terminal and frame)
- Temperature Range.... Operating temperature -30°C~70°C (Non-condensing)  
Storage temperature -40°C~70°C (Non-condensing)
- Expected life..... Ball Bearing 50,000hrs at 40°C (approximately 6 years)
- Fan Specials..... **RD FG PWM IP54 AS**

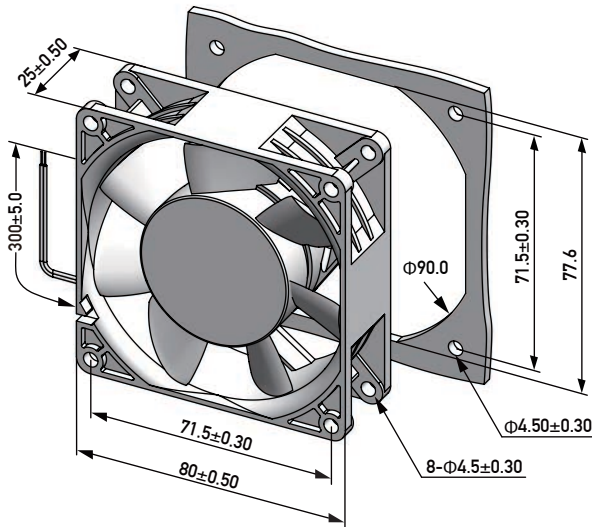
### Specifications

Model	Bearing Type	Rated Voltage	Input Current	Input Power	Speed	Max Air Flow		Max Static Pressure		Noise	Weight
Part No.	B	VAC&VDC	Amp	Watt	RPM	CFM	m <sup>3</sup> /min	Inch-H <sub>2</sub> O	Pa	dB-A	g
EC08025B**HL(T)	B	100~240	0.06	4.50	3500	38.92	1.10	0.25	61.49	31.0	95.0
EC08025B**ML(T)	B	100~240	0.05	2.40	3000	32.13	0.91	0.17	42.27	27.0	95.0
EC08025B**LL(T)	B	100~240	0.04	1.60	2500	26.09	0.74	0.11	27.75	24.0	95.0

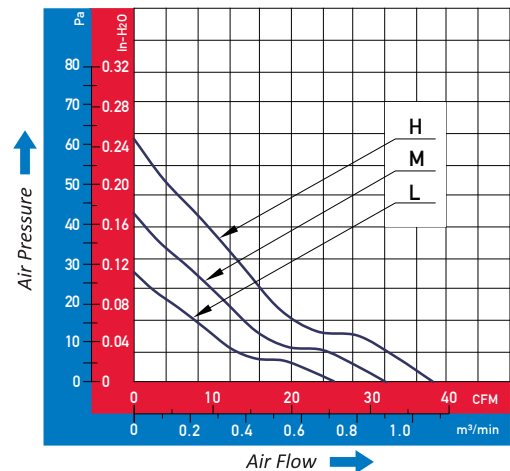
Specifications are subject to change without notice. Please visit our website at [www.ecdrives.com](http://www.ecdrives.com) for update information

Note: "00" is 100 to 240VAC, "11" is 110 VAC, "22" is 220 VAC, (L) is Leadwire, (T) is Terminal

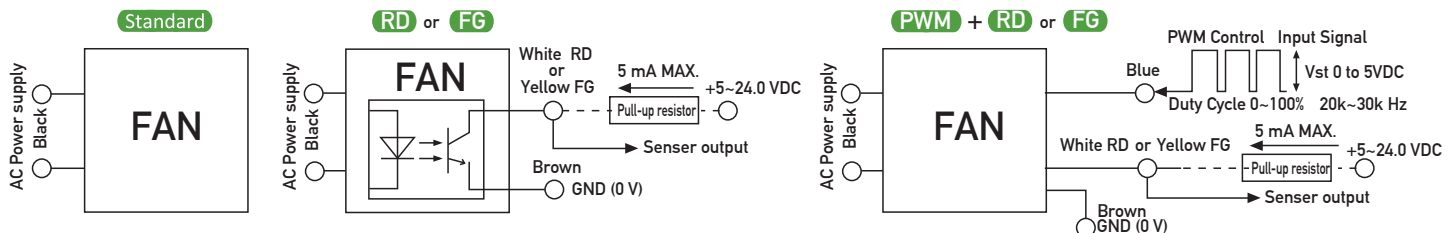
### Dimensions (Unit:mm)



### PQ Curve (At rated Voltage)



### Wiring Diagram



Note: Standard EC fan have two lead wire or Terminal.  
RD or FG, have 4 lead wires. RD is White color, FG is Yellow color. Brown is Ground  
PWM with RD or FG signal have 5 lead wires, PWM is Blue color, Brown is Ground