

## 6025

### 100VAC to 240VAC Energy Saving EC Fan

# NEW

### General Specifications

- Frame Size..... 60x60x25mm
- Material..... Frame: Plastic (UL94V-0), Impeller: Plastic (UL94V-0)  
Lead Wire: UL1007AWG#24 300mm or Terminal
- Motor Protection..... EC series fans have auto restart function
- Input Voltage..... A rated voltage range of 100VAC~240VAC(50/60Hz) Rotation speed remains constant even at different input voltages
- Dielectric Strength..... 50/60Hz 1500VAC 1min (Between input terminal and frame)
- Temperature Range.... Operating temperature -30°C~70°C (Non-condensing)  
Storage temperature -40°C~70°C (Non-condensing)
- Expected life..... Ball Bearing 50,000hrs at 40°C (approximately 6 years)
- Fan Specials..... **RD** **FG** **PWM** **IP54** **AS**



CE cULus

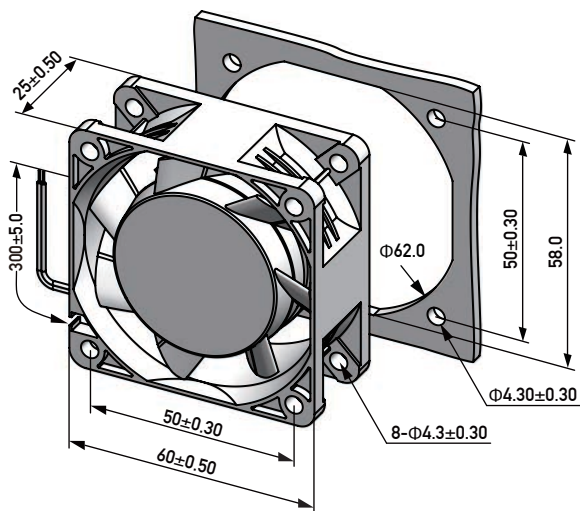
### Specifications

Model	Bearing Type	Rated Voltage	Input Current	Input Power	Speed	Max Air Flow		Max Static Pressure		Noise	Weight
Part No.	B	VAC&VDC	Amp	Watt	RPM	CFM	m <sup>3</sup> /min	Inch-H <sub>2</sub> O	Pa	dB-A	g
EC06025B**HL(T)	B	100~240	0.06	2.30	4500	16.78	0.48	0.24	59.62	35.3	69.0
EC06025B**ML(T)	B	100~240	0.05	1.70	4000	13.47	0.38	0.19	47.37	33.0	69.0
EC06025B**LL(T)	B	100~240	0.04	1.40	3500	12.30	0.35	0.16	39.03	31.2	69.0

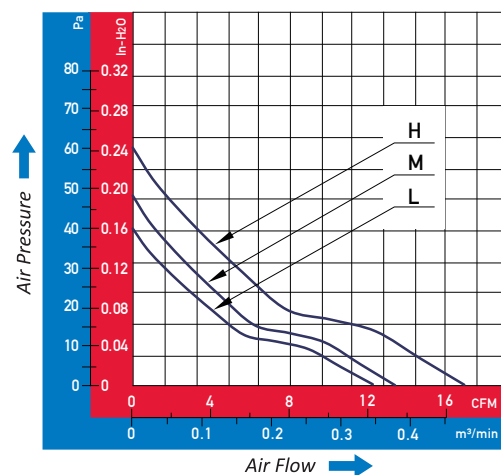
Specifications are subject to change without notice. Please visit our website at [www.ecdrives.com](http://www.ecdrives.com) for update information

Note: "00" is 100 to 240VAC, "11" is 110 VAC, "22" is 220 VAC, (L) is Leadwire, (T) is Terminal

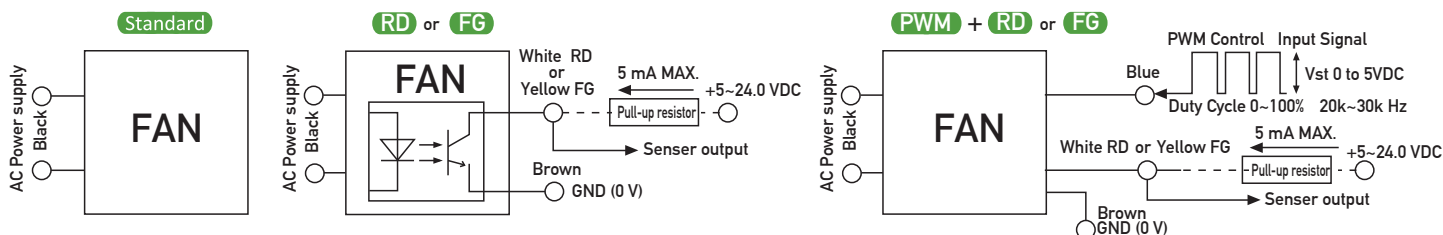
### Dimensions (Unit:mm)



### PQ Curve (At rated Voltage)



### Wiring Diagram



Note: Standard EC fan have two lead wire or Terminal.  
RD or FG, have 4 lead wire. RD is White color, FG is Yellow color, Brown is Ground  
PWM with RD or FG signal have 5 lead wire, PWM is Blue color, Brown is Ground